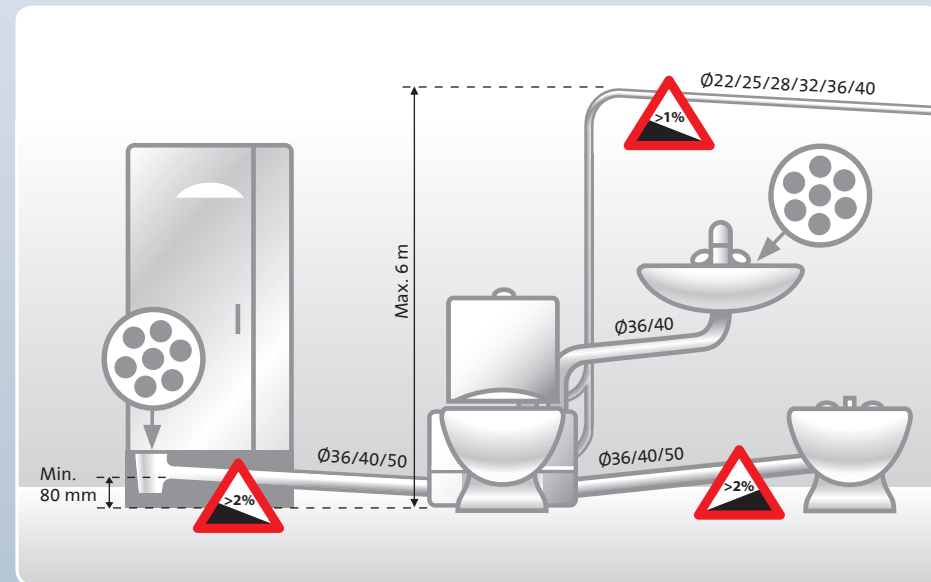
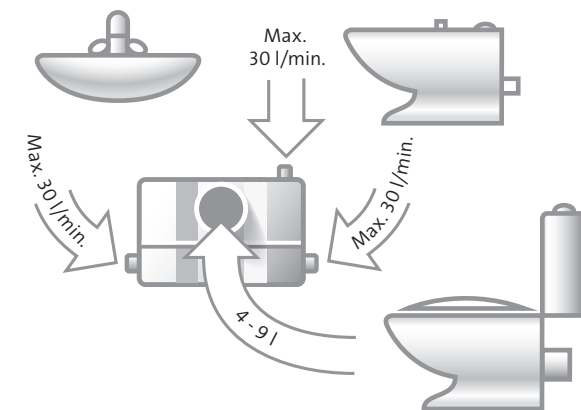
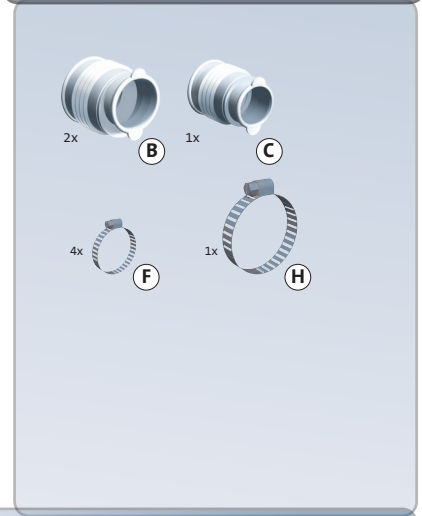
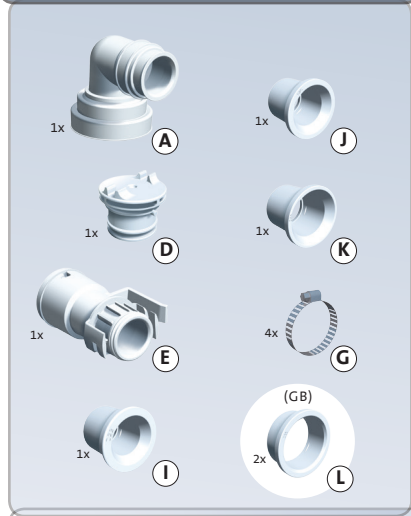
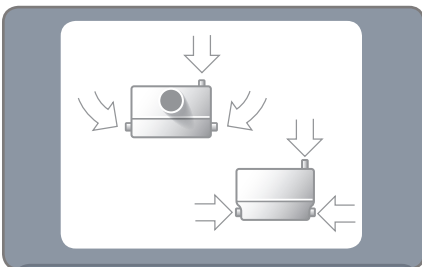
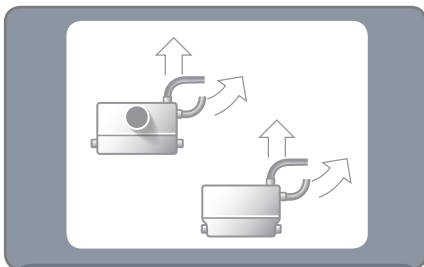
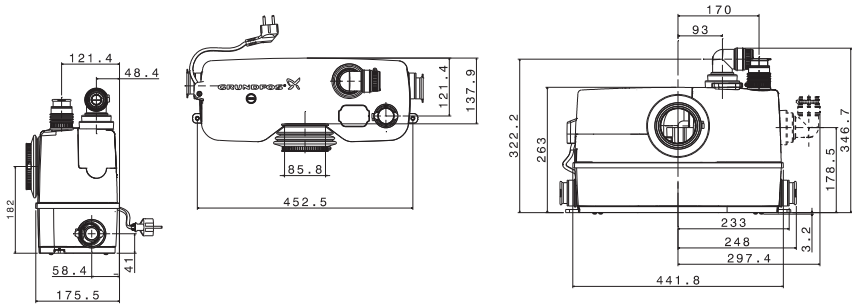
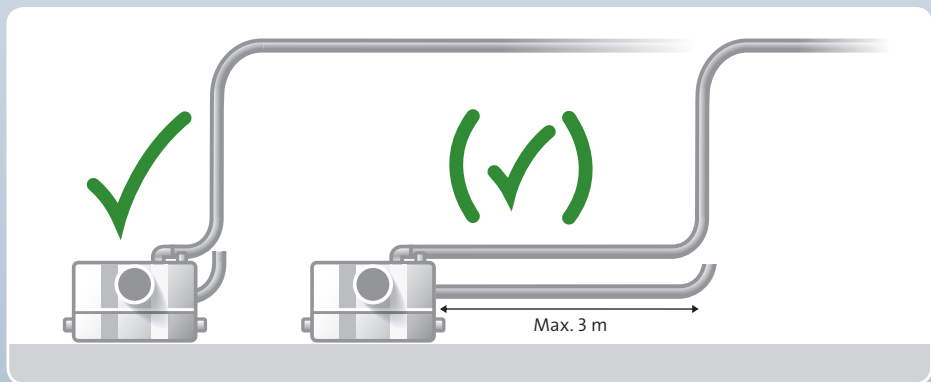
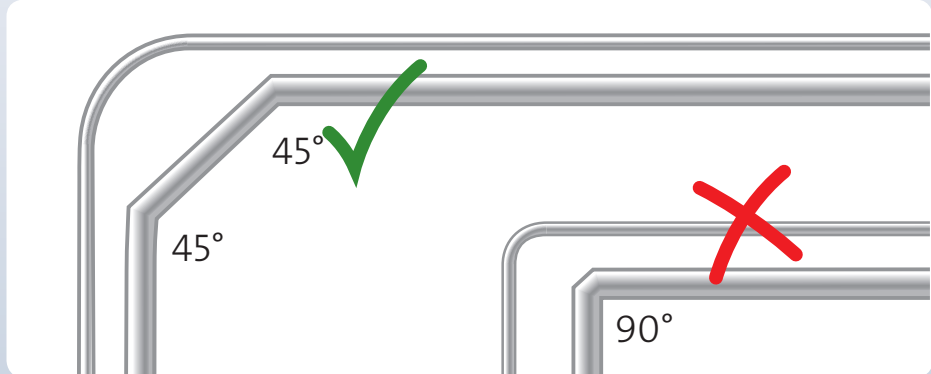
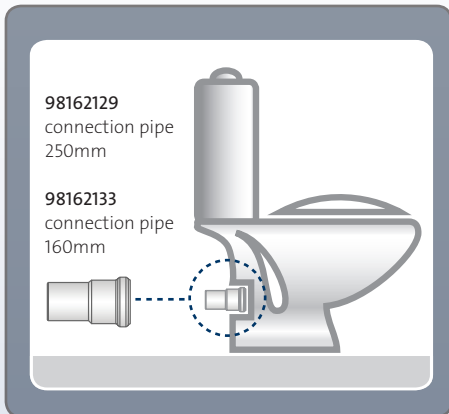
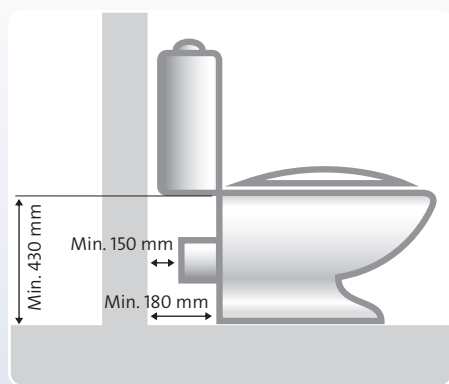
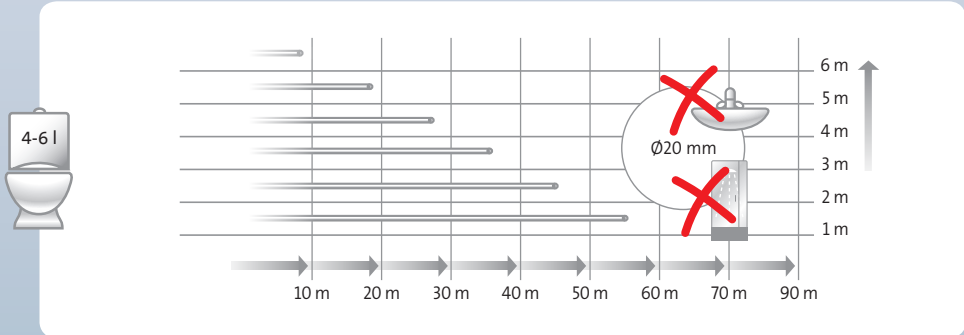
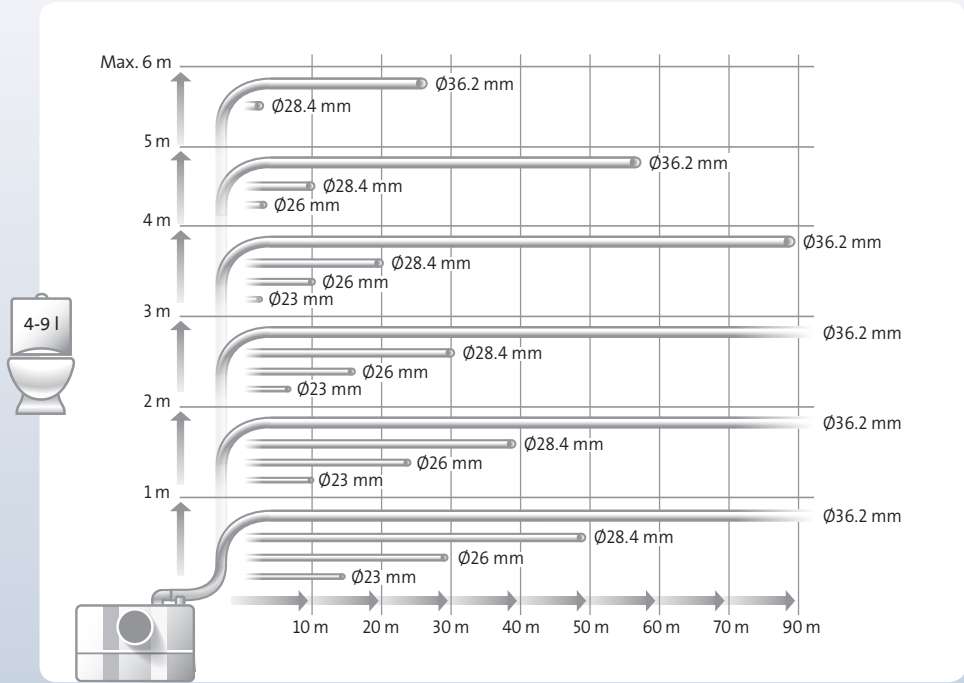
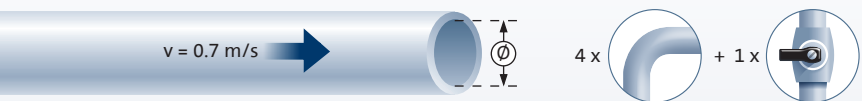
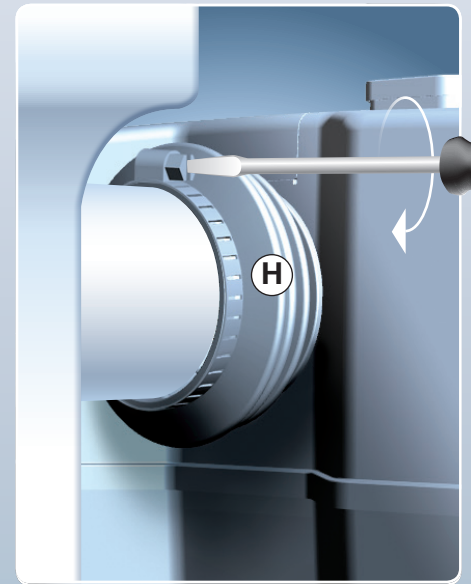
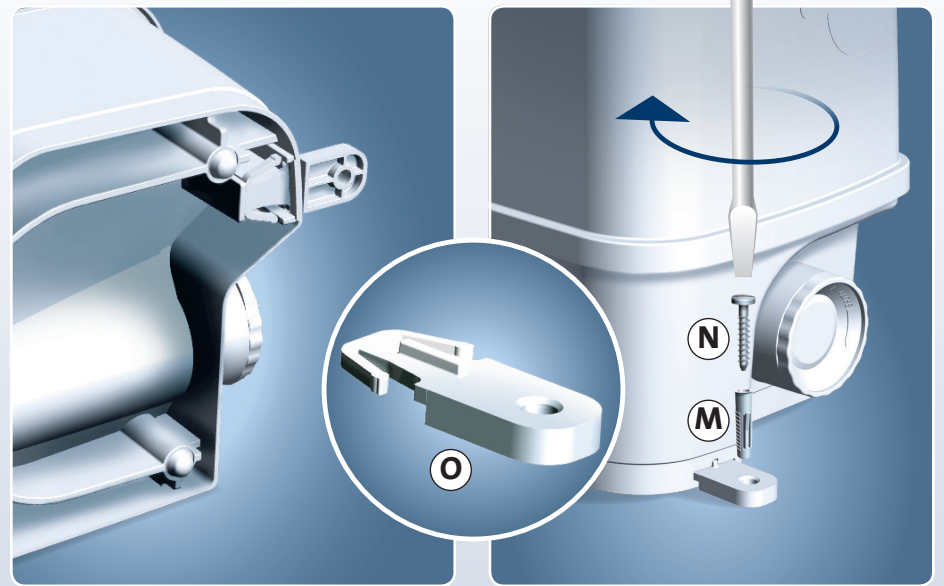
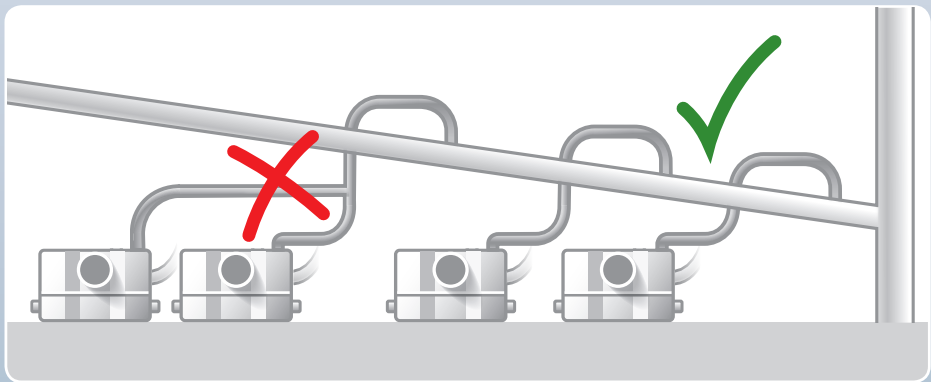
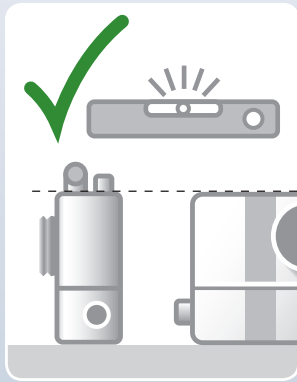
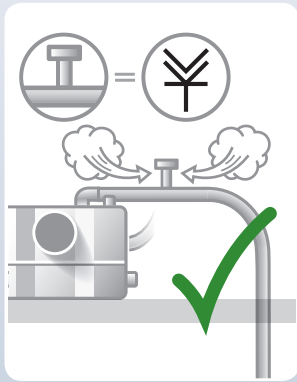
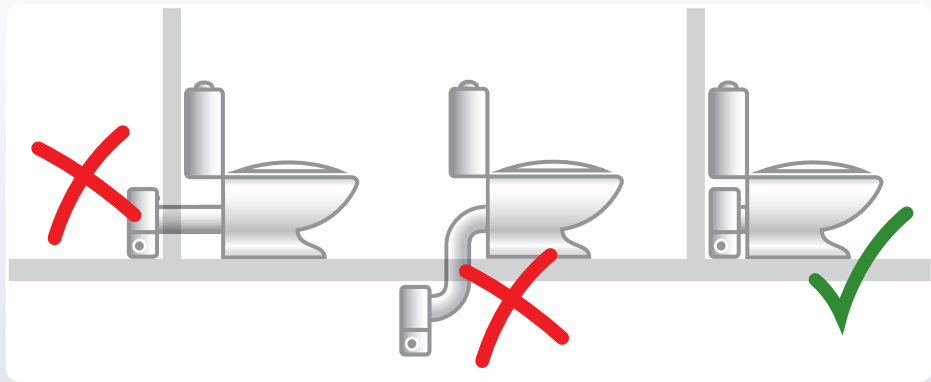


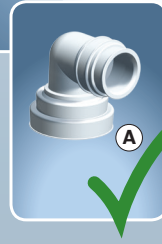
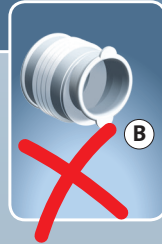
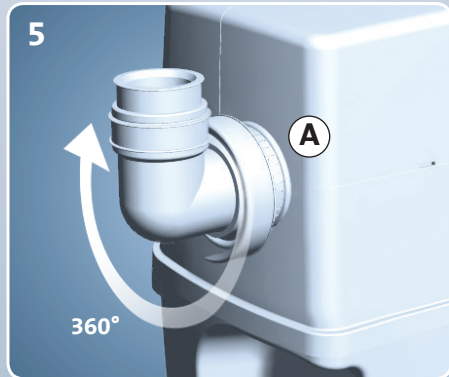
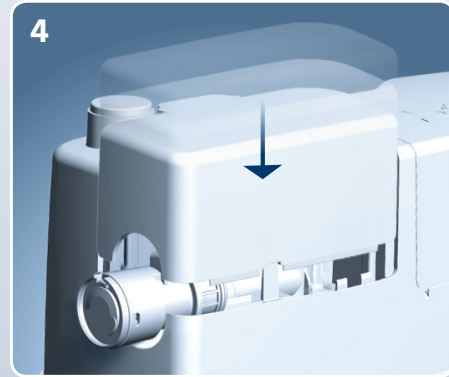
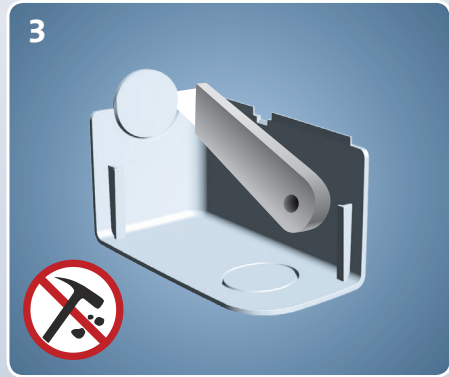
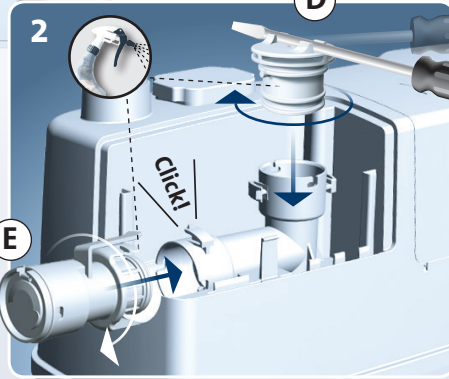
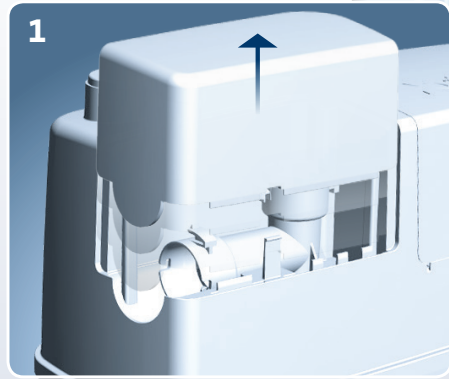
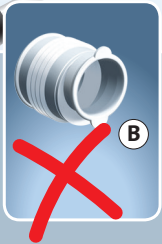
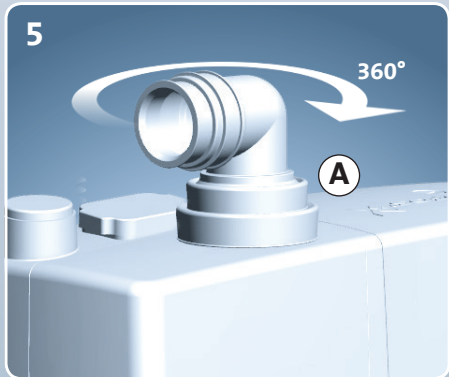
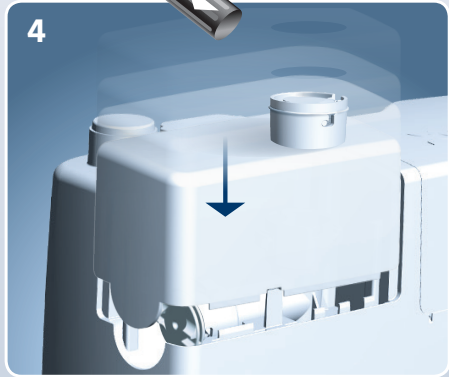
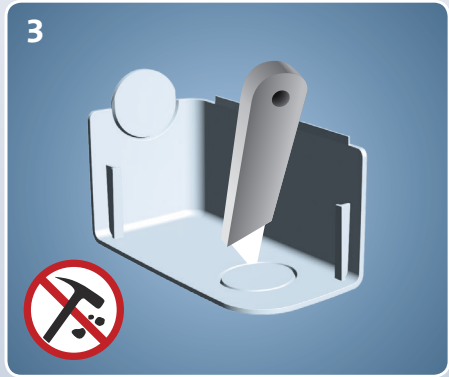
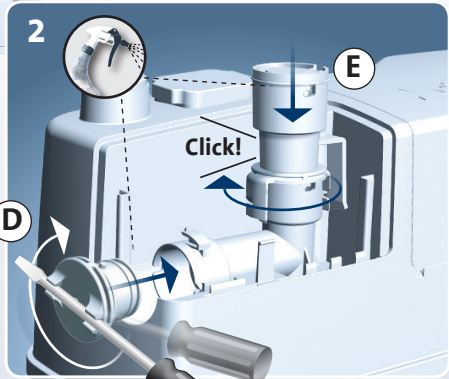
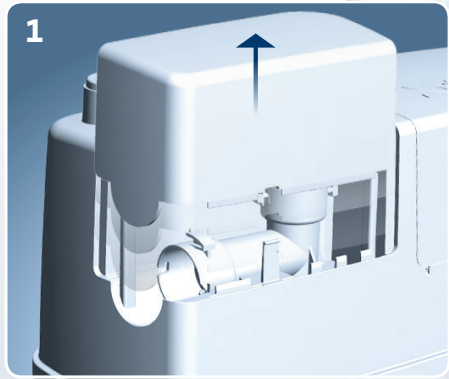
# Sololift2 WC-3

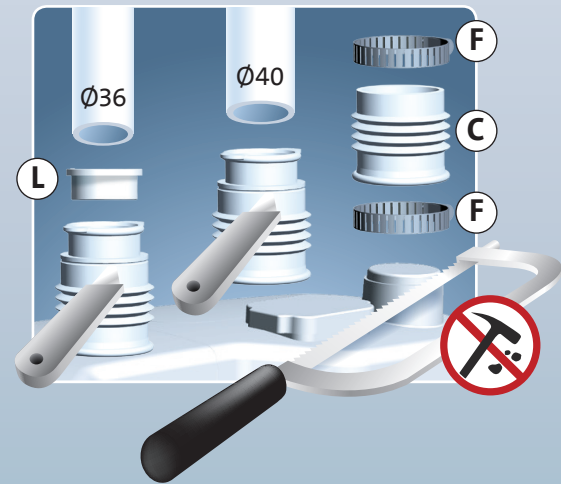
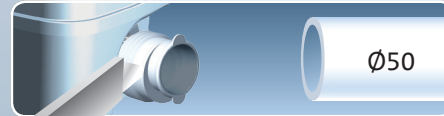
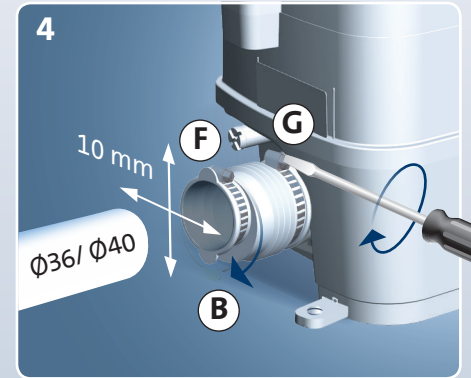
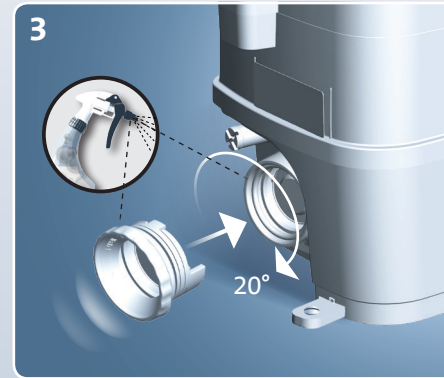
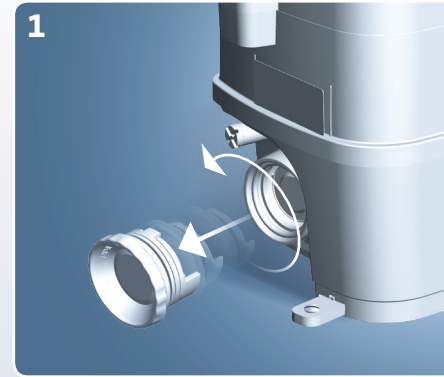
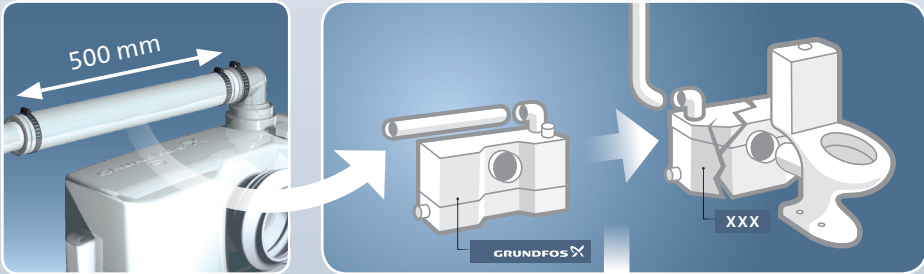
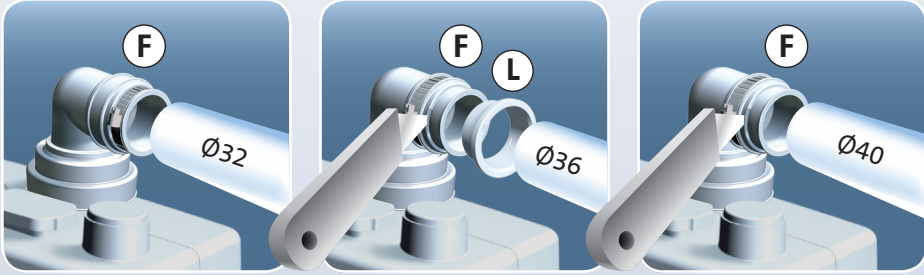
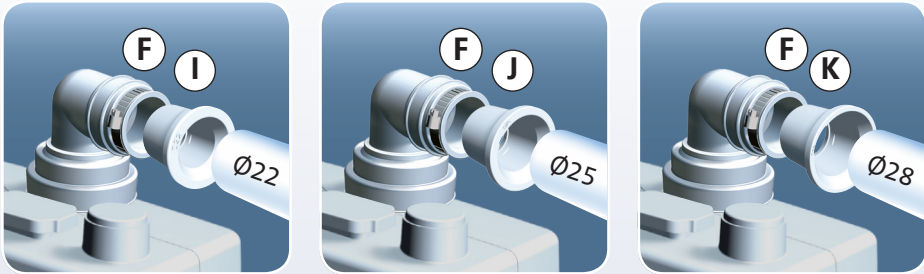


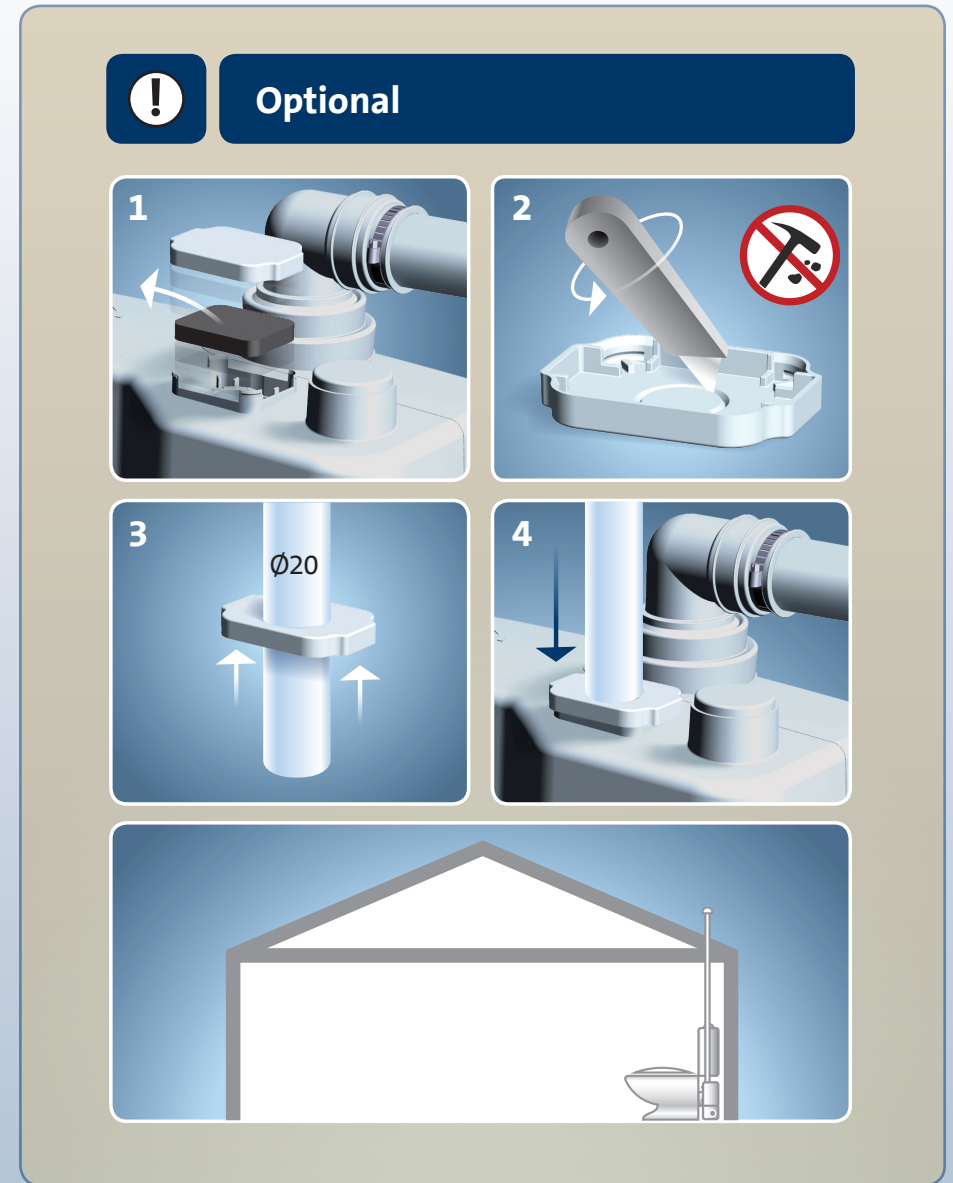
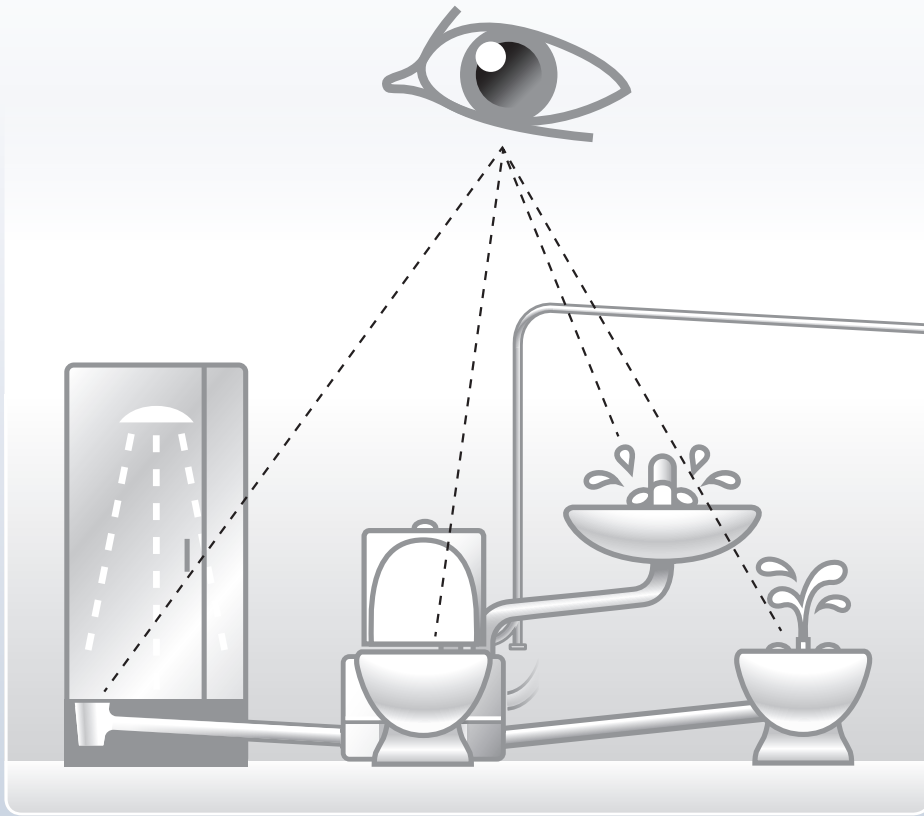
















**97771611** 0714

ECM: 1138544

The name Grundfos, the Grundfos logo, and the payoff Be-Think-Innovate are registered trademarks owned by Grundfos Management A/S or Grundfos A/S, Denmark. All rights reserved worldwide.

be think innovate

**GRUNDFOS** 