

# DMX

## End-of-Life Information

Grundfos DMX Pumps must be disposed of according to local regulations by using a public or private waste collection service. If this is not possible, contact the nearest Grundfos company or service workshop.

To identify the specific product materials, please check the Type key available in the product nameplate as described in the product's Installation and operating instructions.

## Safety Risk

Safety related to materials used

- The materials used in DMX pumps do not pose any health risk to the person handling them. Please observe the corresponding indications in the Installation and operating instructions for taking the product out of operation.
- The pump housing is filled with non-dangerous mineral oil-based grease.

Safety related to handling the product

- The required safety measures for handling the chemical being dosed with this pump should be taken. The parts in contact with the fluid should be rinsed and cleaned before disposal in an environmentally sound way.
- The product should be taken out of operation according to the recommendations described in the Installation and operating instructions.
- Care should be taken when handling the pump due to its weight.

## Disassembly of the Product

Depending on the pump model, the materials of the product components are:

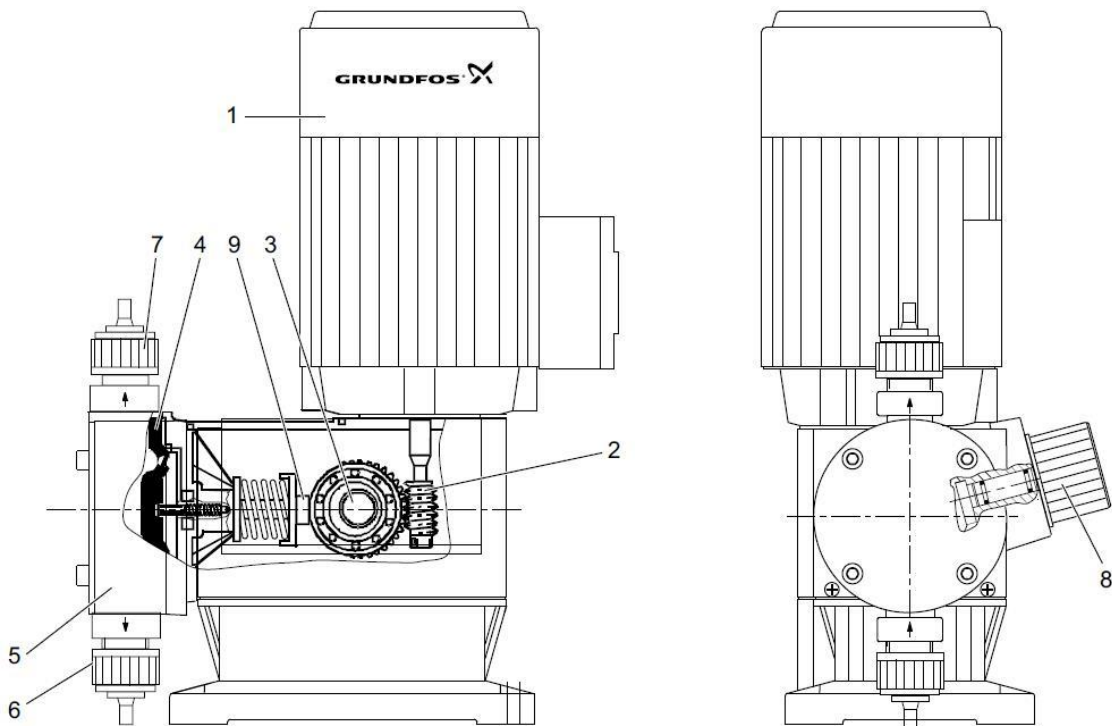
- Stainless Steel of different grades
- Thermoplastics of different compositions
- Elastomers of different compositions
- Composites
- Aluminium
- Mineral oil-based grease (DMX 221 and 226)
- Hydraulic oil (DMX 227)
- Electronic scrap

The pump can be mostly disassembled with standard tools.

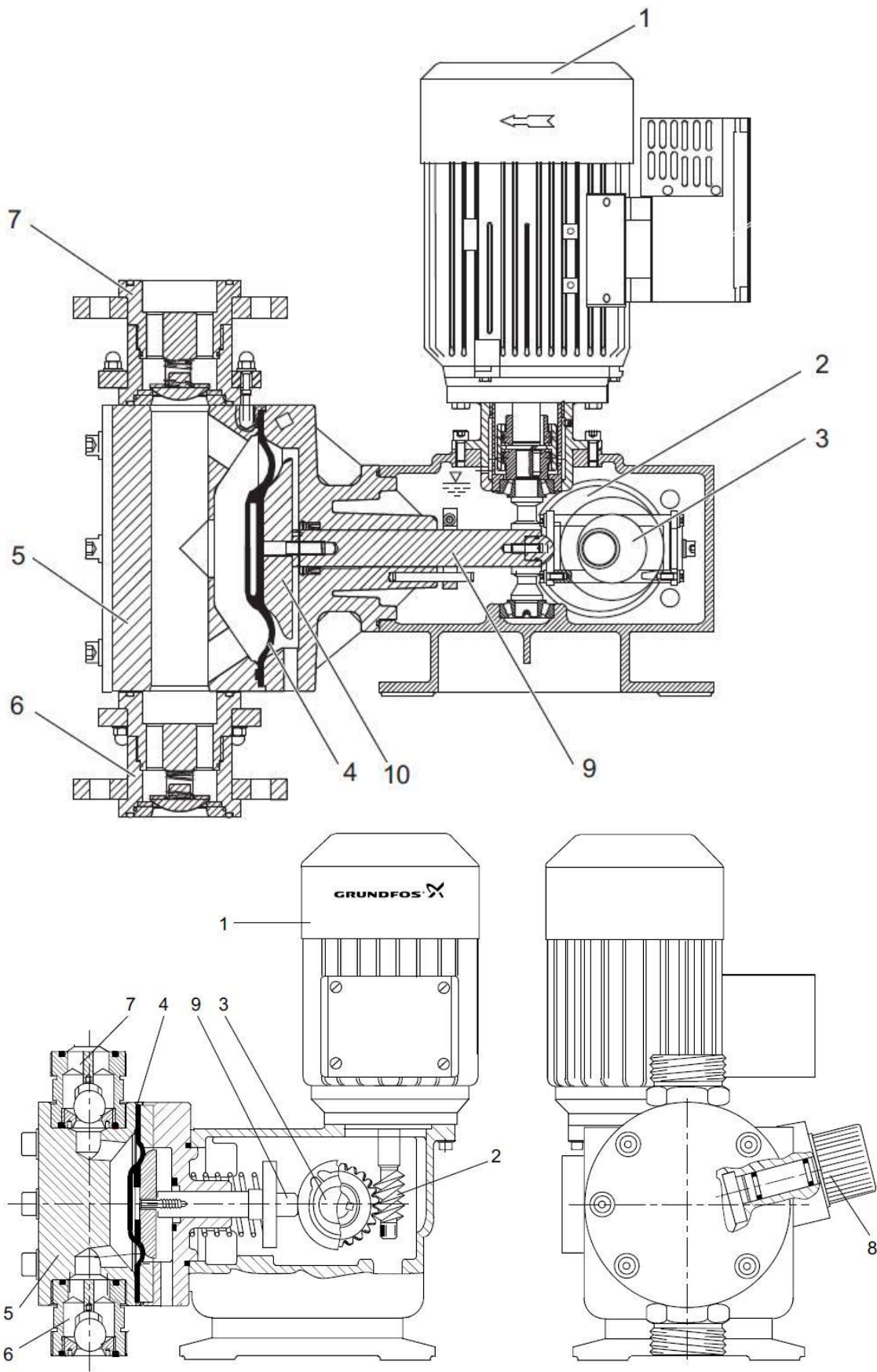
A slide Hammer and a set of pliers are recommended to ease the disassembly.

Designation	Name	Material	Special Disassembly Consideration
1	Motor	Siemens asynchronous motor	Use a long Allen key to remove the motor retaining screws
2	Gears	Steel	
3	Eccentric	Bronze / steel	Use a slide hammer to remove the complete gear shaft

4	Dosing diaphragm	PTFE/NBR	
5	Dosing head	PP or PVC or PVDF or SS 1.4571	
6	Suction valve housing	PP or PVC or PVDF or SS 1.4571	
6.1	Gaskets	EPDM or FKM or PTFE	
6.2	Balls	Glass or Ceramic or PTFE or Stainless steel 1.4401	
7	Discharge valve housing	Idem suction side	
8	Stroke-length adjustment	ABS, Steel	Not for DMX 227
9	Diaphragm shaft	Steel	
10	Support disc	Brass	Only for DMX 227
	Pump enclosure	Model 221: PPO / PS blend Models 226, 227: Aluminium	
	AR electronics	Enclosure upper part PPO/PS Enclosure lower part Aluminium Electronic scrap	Only for pumps with AR electronics
	Lubricant	Aluminium soap grease	Only for DMX 221 and DMX 226 models
	Lubricant	Hydraulic oil	Only for DMX 227 models



TM04 1559 1310



TM03 1869 3805