

## GRUNDFOS DELTA HCU\_US

### End-of-Life Information

GRUNDFOS DELTA HCU\_US must be disposed of according to local regulations by using a public or private waste collection service. If this is not possible, contact the nearest Grundfos company or service workshop.

### Safety risk

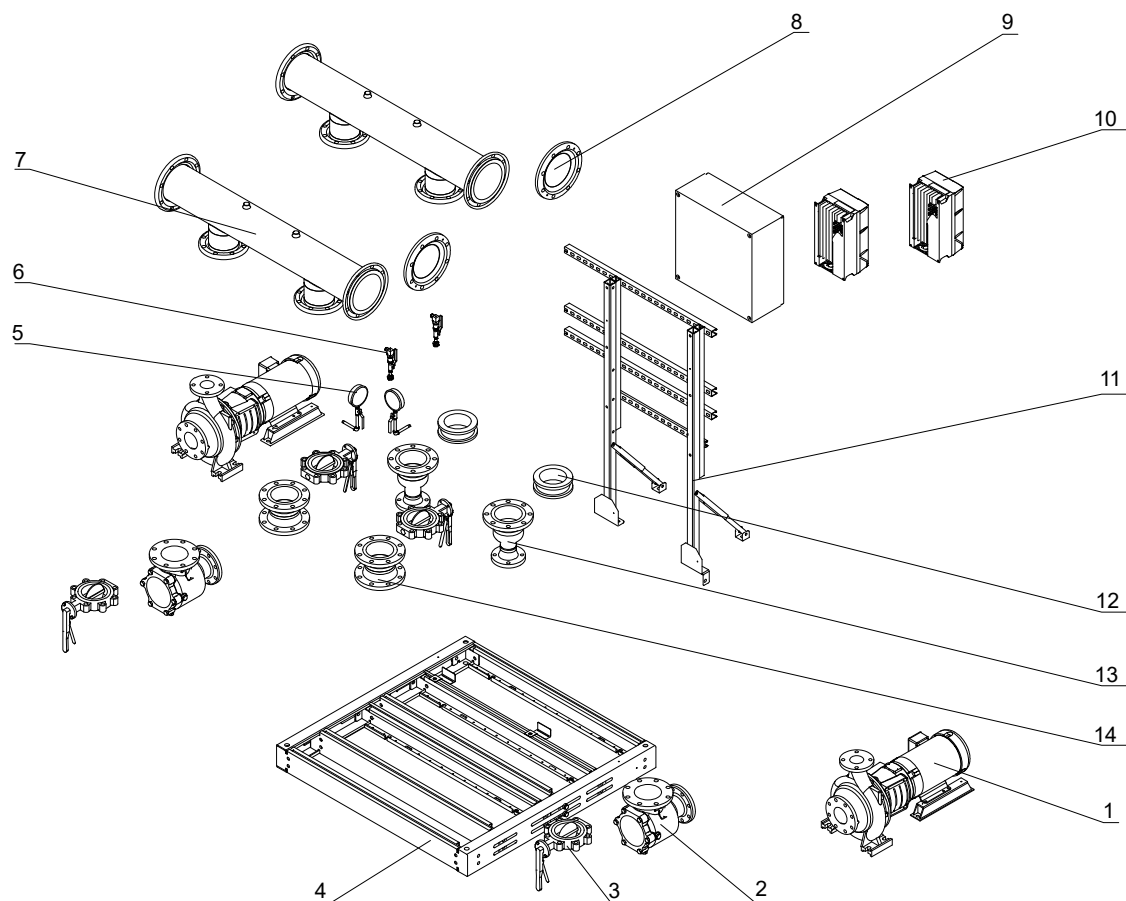
- **Safety risk related to materials used.**
  - There is no risk for people during the disassembly process posed by the materials used for the product.
- **Safety risk related to handling the product.**
  - Pay attention that the components which are prior in contact with the medium like glycol or sanitizer are harmful to health. These components can be classified as contaminated and must be handled as such.
  - Take care when handling the product due to its heavy weight.

### Dismantling the product

The main materials of the components are:

- cast iron
- stainless steel
- carbon steel
- aluminium
- copper
- electronic scrap.

Therefore, these main materials can be recycled to a large extent depending on the national possibilities for recycling. The product is assembled by using bolts and can be disassembled with standard tools.



TM085149

Pos.	Designation	Material
1	Pump	-
2	Suction diffuser	Cast iron
3	Butterfly valve	Cast iron
4	Base frame	Carbon steel
5	Pressure gauge	Cast aluminium case
6	Pressure sensor	Electronics
7	Manifold	Carbon steel/stainless steel
8	Blind flange	Carbon steel/stainless steel
9	Control panel	Electronics
10	CUE	Electronics
11	Panel stand	Carbon steel
12	Check valve	Cast iron
13	Spool reducer	Carbon steel
14	Spool flanges	Carbon steel

Additional materials: fasteners, gaskets etc. The weight of these additional materials is less than 5% of the overall product weight.